

Cambridgeport

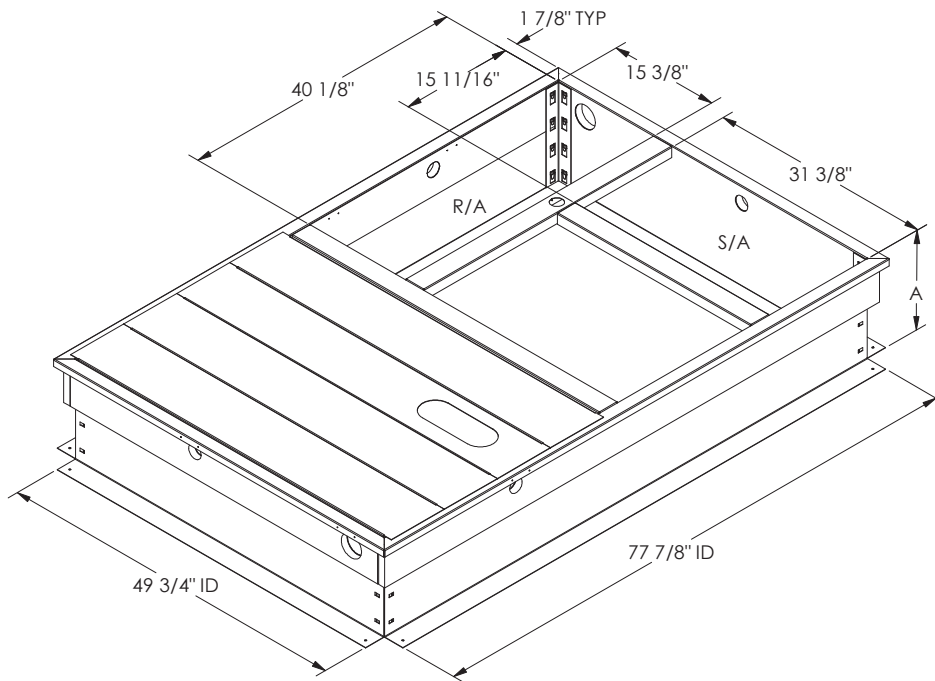
SUBMITTAL

SUBMITTED TO _____
 COMPANY _____
 JOB NAME _____
 EQUIPMENT _____
 SIGNATURE _____
 DATE _____

**ROOF CURBS
 FOR BRYANT ROOFTOP UNITS**
 548C,D,F ; 551A, B; 558C, D, F;
 580C, D, F; 581A, B; 549B 090-150
 558J, 580J 08, 09, 12, 14
 551J, 581J 07, 08, 09, 12
 548J 08, 09, 12 ; 549J 07, 08, 09

**ROOF CURBS
 FOR CARRIER ROOFTOP UNITS**
 48/50 GJ, HJ, TJ, TF, TM 008-014;
 48/50 TC 08, 09, 12, 14
 50 TCQ 08, 09, 12
 48/50 HC 07, 08, 09, 12
 50 HCQ 07, 08, 09

CAS PT#	CAR/BRY PART #	CAS INSULATED PART#	CURB HEIGHT (A")
1000027	CRRFCURB003A00	1001580	14"
1000669		1006182	18"
1000029	CRRFCURB004A00	1001437	24"



FEATURES

- MITERED TOP CORNERS
- ROOF CURB IS FABRICATED OF 18GA G90 GALVANIZED STEEL
- FULL PERIMETER WOOD NAILER
- PRE-PUNCHED ASSEMBLY HOLES AND HARDWARE INCLUDED FOR DUCT SUPPORT INSTALLATION
- ROOF CURB IS SHIPPED UNASSEMBLED
- CURBS ARE INTERNALLY INSULATED WITH 1" THICK 1-1/2 LB DENSITY DUCT LINER

