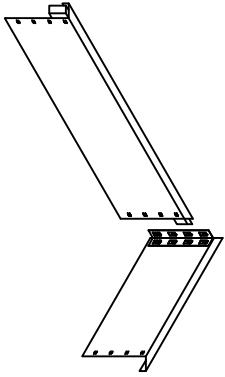
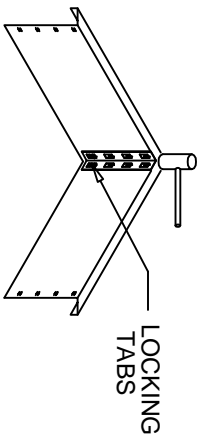


1 PUT "SURE CLIP" IN RAIL WITHOUT WOOD OVERHANG FIRST. THEN SLIDE CLIP THROUGH KEEPERS ON RAIL 3/4 OF THE WAY. TONGUE SHOULD SLIDE PAST KEEPERS BUT NOT LOCK.

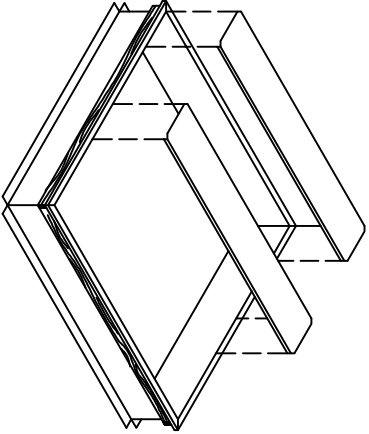


2 ARRANGE SIDE AND END TOGETHER AT RIGHT ANGLES AS SHOWN. CONNECT RAIL WITH WOOD OVERHANG. MAKE SURE TONGUE IS THROUGH KEEPERS BEFORE GENTLY TAPPING REMAINING DISTANCE WITH HAMMER.

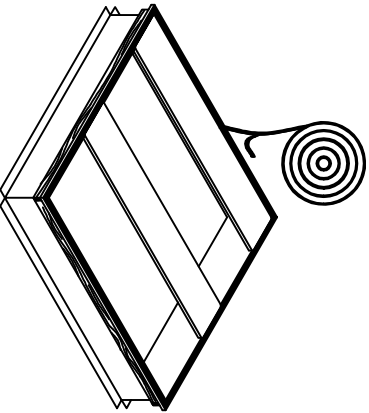


(U.S. PATENT)
(# 5465533)

3 SLIDE THE "SURE CLIP" DOWN THE INSIDE CORNER OF THE CURB RAILS, ALLOWING THE "TONGUE" ON THE CLIP TO SLIDE THROUGH THE "KEEPERS" ON THE RAILS. GENTLY TAP THE CLIP THE REMAINING DISTANCE WITH A HAMMER, TIGHTLY LOCKING THE CORNER.



4 PLACE THE INSULATED PANELS TOGETHER WITH THE FORMED FLANGES FACING DOWN. PLACE PANELS ON SIDE RAILS AS SHOWN, ALLOWING FLANGED PORTION OF PANELS TO REST ON SIDE RAILS. (GASKET WILL HOLD PANELS IN PLACE).



5 REMOVE PAPER BACKING FROM THE PROVIDED GASKETING AND APPLY TO TOP PERIMETER OF ROOF CURB AND DUCT SUPPORTS. (SEE ILLUSTRATION ABOVE). SET CURB IN PLACE OVER ROOF OPENING. LEVEL CURB AND SECURE TO ROOF.

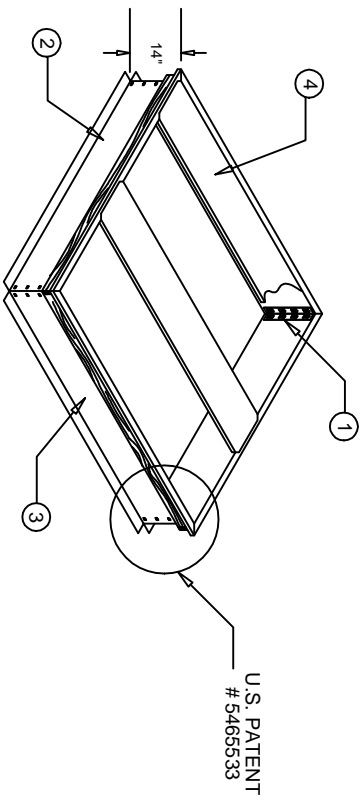
NOTE:

ATTACH THE DUCTWORK TO CURB NOT THE UNIT (FLANGES OF DUCT REST ON CURB AND PANELS).

IMPORTANT:

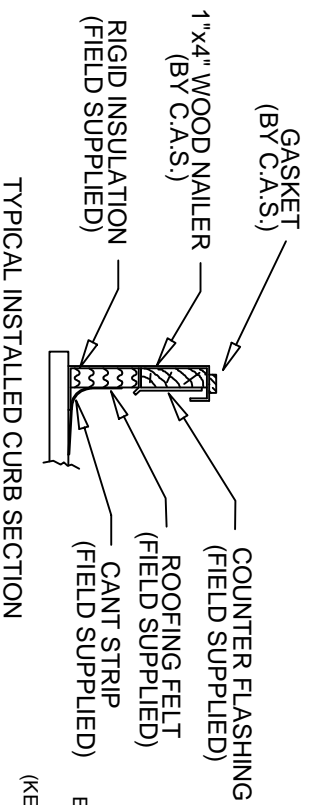
THE GASKETING OF THE UNIT TO THE ROOF CURB IS CRITICAL FOR WATERTIGHTNESS. INSTALL GASKET SUPPLIED WITH ROOF CURB AS SHOWN IN STEP 5. IMPROPERLY APPLIED GASKET CAN RESULT IN AIR LEAKS AND POOR UNIT PERFORMANCE.

SURE-LOCK ROOF CURB ASSEMBLY INSTRUCTIONS



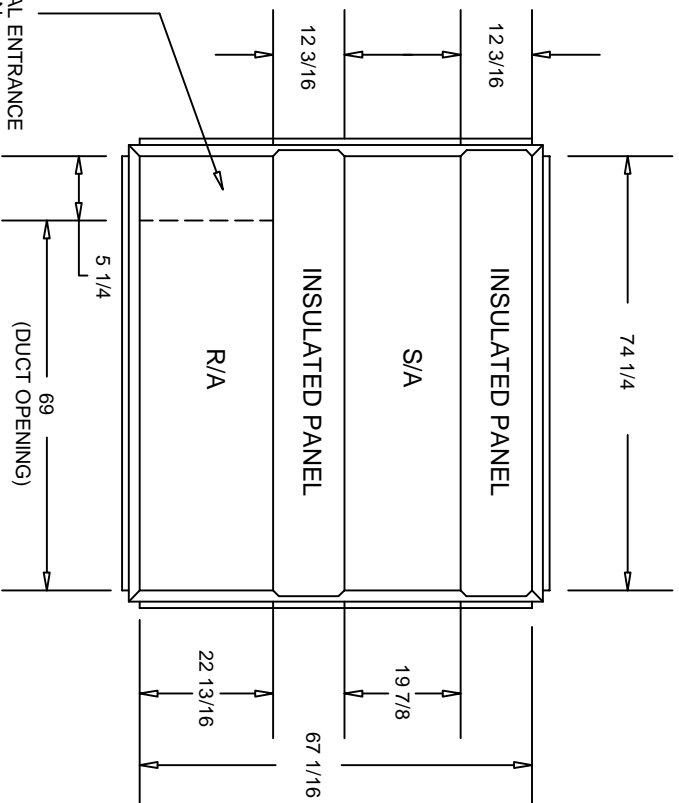
PARTS LIST

- ① CORNER BRACKET (QTY. 4)
 - ② END RAILS (QTY. 2)
 - ③ SIDE RAILS (QTY. 2)
 - ④ INSULATED PANEL (QTY. 2)
 - ⑤ HARDWARE BAG (QTY. 1)
- 30 ft. GASKET 1 1/2" x 1/2"



TYPICAL INSTALLED CURB SECTION

ELECTRICAL ENTRANCE SECTION
(KEEP THIS AREA CLEAR)



CARRIER UNITS

48 TJ 016-020
 48 TJD, TJF 024, 028
 50 TJ 016-028
 48/50 HJ 015-017
 48HJD, HJF 015-017
 50HJQ 014, 016
 48/50 TM 016-025

PART NUMBER

CARRIER CAMBRIDGEPORT
 CRRFCURB010A00SL 1000032

DATE: 10-20-05 REV: 10

SEE REVERSE SIDE FOR
 STEP-BY-STEP ASSEMBLY
 INSTRUCTIONS.

CAMBRIDGEPORT AIR SYSTEMS
 SALISBURY, MA 01952
 PHONE 1-800-648-2872 FAX 978-462-9189