

# ROOF CURB ASSEMBLY INSTRUCTIONS

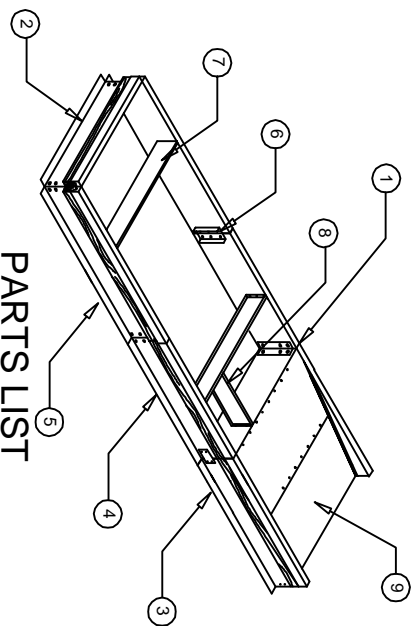
YORK UNITS  
Y12, Y13, Y14

PART NUMBER

YORK CAMBRIDGEPORT

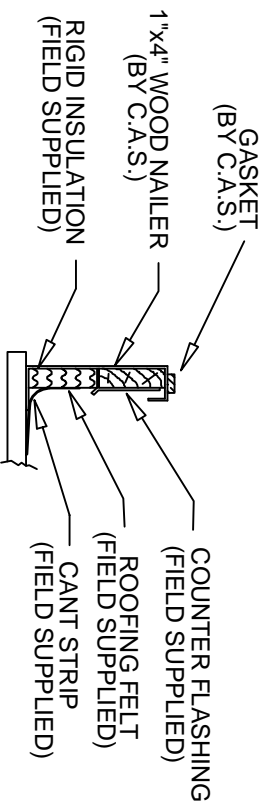
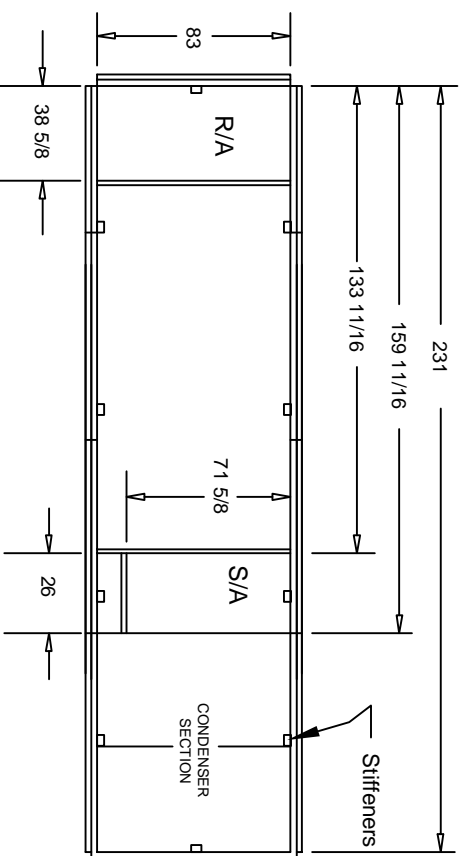
1RCO-455F 1001921

INSULATED



## PARTS LIST

- ① CORNER BRACKET (QTY.4)
  - ② END RAILS (QTY.2)
  - ③ SIDE RAILS (QTY.2)
  - ④ SIDE RAILS (QTY.2)
  - ⑤ SIDE RAILS (QTY.2)
  - ⑥ BUTT STRAP (QTY.4)
  - ⑦ CROSS SUPPORT (QTY.2)
  - ⑧ DUCT SUPPORT (QTY.1)
  - ⑨ CONDENSER SECTION (QTY.1)
  - ⑩ HARDWARE BAG (QTY.1)
- (32) BOLTS 5/16" x 3/4"
  - (32) NUTS 5/16"
  - (40) 1/4-14x1" TEK. SCREW
  - 90 ft. GASKET 1 1/2" x 1/2"



TYPICAL INSTALLED CURB SECTION

Roof Curb is Seismic Rated and  
can be Certified upon Request  
Roof Curb is Fully Insulated

DATE: 10-01-02 REV:00

SEE REVERSE SIDE FOR  
STEP-BY-STEP ASSEMBLY  
INSTRUCTIONS.

**CAMBRIDGEPORT AIR SYSTEMS, INC.**  
SALISBURY, MA 01952  
PHONE 1-800-648-2872 FAX 978-462-9189