

ADJUSTABLE SLOPE ROOF CURB ASSEMBLY INSTRUCTIONS

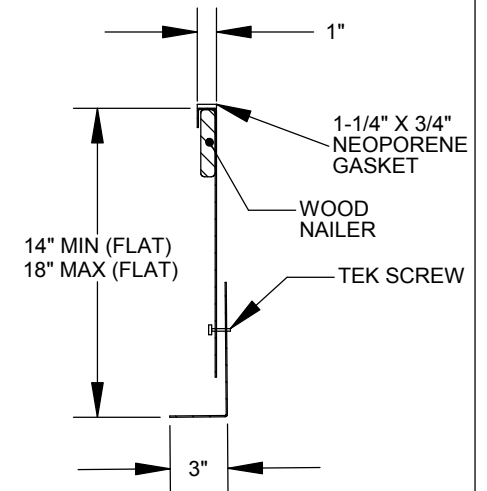
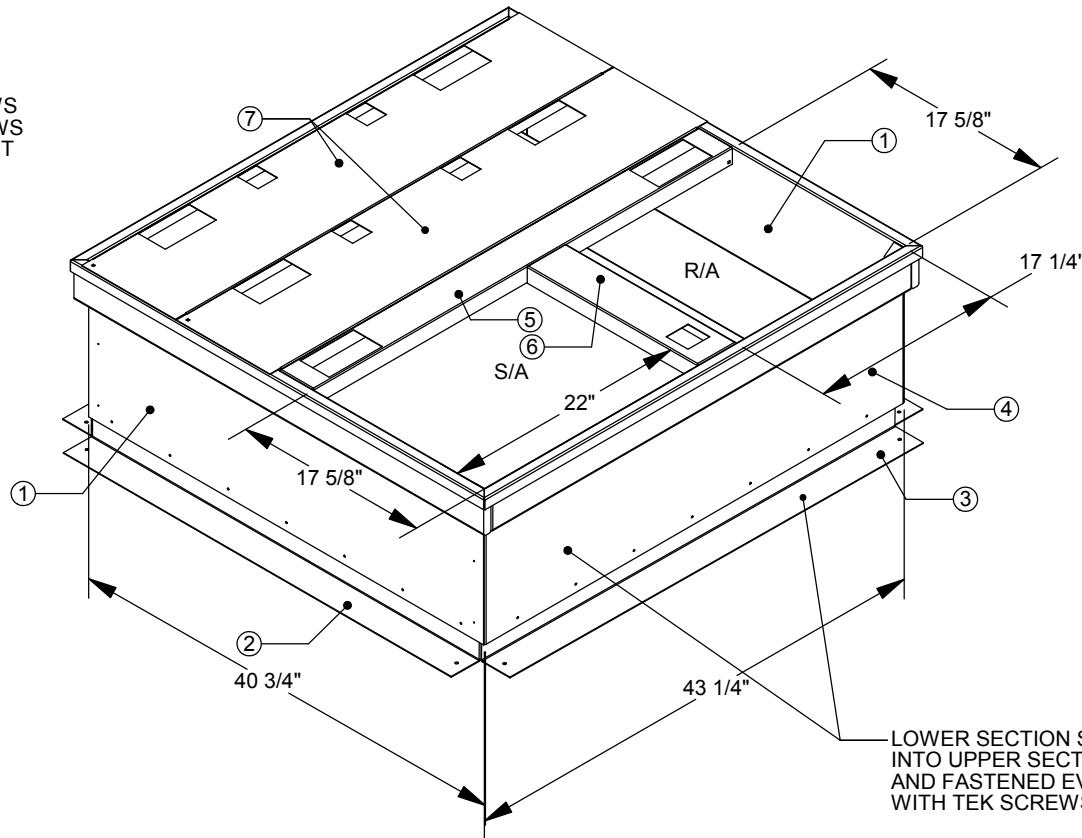
YORK UNITS
DNH, DEB, BHA 018-042
DNA 018-060

PART NUMBER

1004356 - CASADJSLP463

PARTS LIST

- 1 UPPER SIDE RAILS (QTY 2)
- 2 LOWER SIDE RAILS (QTY 2)
- 3 LOWER END RAILS (QTY 2)
- 4 UPPER END RAILS (QTY 2)
- 5 DUCT SUPPORT (QTY 1)
- 6 DUCT SUPPORT (QTY 1)
- 7 INSULATED PANEL (QTY 2)
- 8 HARDWARE BAG (QTY 1)
 - (8) 10-16X3/4" TEK SCREWS
 - (42) 1/4-14X1" TEK SCREWS
 - (20FT) 3/4" X 1-1/4" GASKET
 - (1) INSTRUCTION SHEET



1800092 DATE:01-06-04 REV: 00

SEE REVERSE SIDE FOR
STEP-BY-STEP ASSEMBLY
INSTRUCTIONS.

Cambridgeport™

North 1-800-648-2872/FAX 978-462-9189
South 1-877-648-2872/FAX 901-566-0035