

Cambridgeport

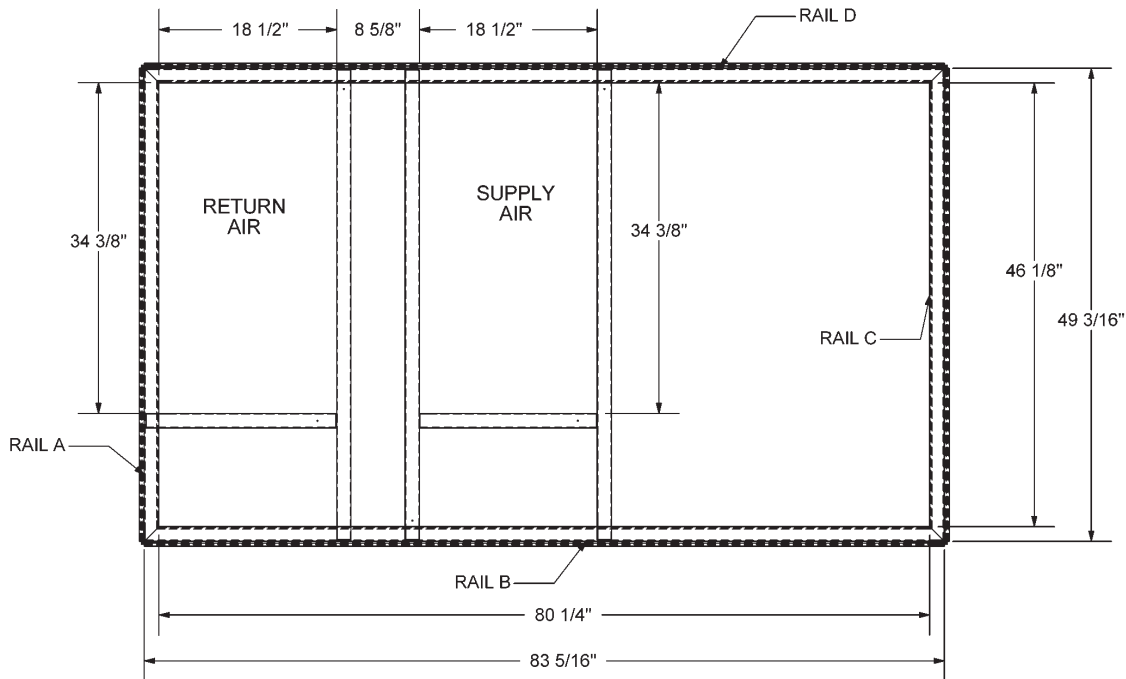
SUBMITTAL

SUBMITTED TO _____
 COMPANY _____
 JOB NAME _____
 EQUIPMENT _____
 SIGNATURE _____
 DATE _____

ISOLATION RAILS FOR TRANE ROOFTOP UNITS

Y*C, T*C 072A, 090A, 092A
 Y*C, T*C 102A, 120A
 YHC 048E, 060E, 072E
 WSC 072A, 102A, 120A

Description	Part #
1" Deflection KD	1010005
2" Deflection KD	1010007
1" Deflection Assem	1010006
2" Deflection Assem	1010008



FEATURES

- SHIPPED ASSEMBLED OR KNOCK DOWN
- MITERED TOP CORNERS
- FABRICATED OF ALUMINUM EXTRUSION
- FULL PERIMETER WEATHER SEAL
- 1" OR 2" STATIC DEFLECTION
- DUCT SUPPORTS INCLUDED
- ROOF CURB SOLD SEPARATELY
- CANVAS DUCT CONNECTIONS (NOT INCLUDED)

