

# Cambridgeport

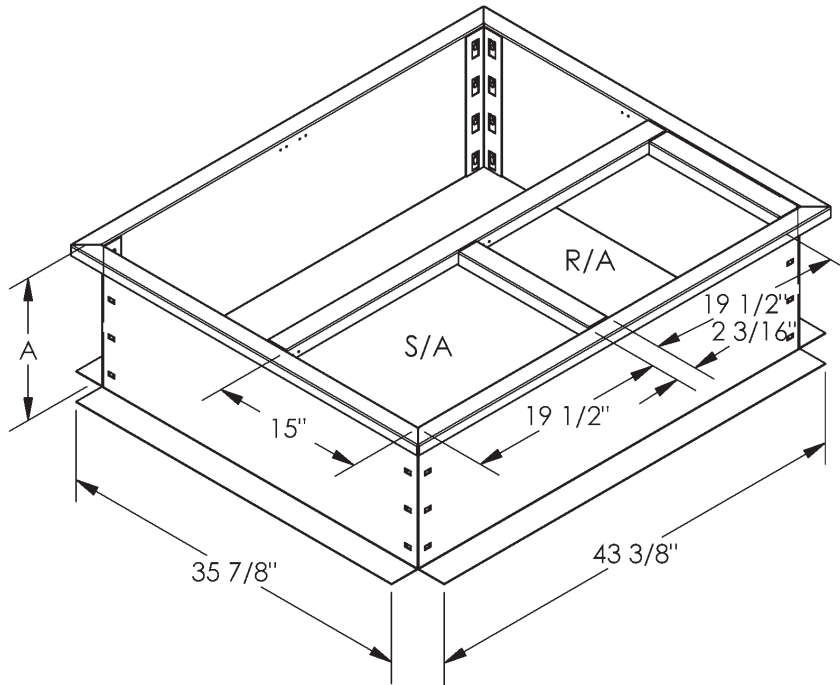
## SUBMITTAL

SUBMITTED TO \_\_\_\_\_  
 COMPANY \_\_\_\_\_  
 JOB NAME \_\_\_\_\_  
 EQUIPMENT \_\_\_\_\_  
 SIGNATURE \_\_\_\_\_  
 DATE \_\_\_\_\_

## ROOF CURBS FOR TRANE ROOFTOP UNITS

2/4 TC\*/ WC\*/ YC\*3 018-036A

PART #		PART #	CURB HEIGHT
CAS	TRANE	INSULATED	"A"
1011896	BAYCURB050	1011810	14"
1011805	N/A	1011809	8"
1011807	N/A	1011811	18"
1011808	N/A	1011812	24"



## FEATURES

- MITERED TOP CORNERS
- ROOF CURB IS FABRICATED OF 18GA G90 GALVANIZED STEEL
- FULL PERIMETER WOOD NAILER
- PRE-PUNCHED ASSEMBLY HOLES AND HARDWARE INCLUDED FOR DUCT SUPPORT INSTALLATION
- ROOF CURB IS SHIPPED UNASSEMBLED
- \* CURBS ARE INTERNALLY INSULATED WITH 1" THICK 1-1/2 LB DENSITY DUCT LINER

