

# Cambridgeport

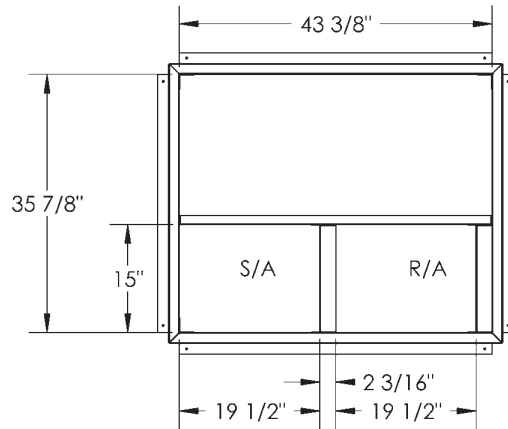
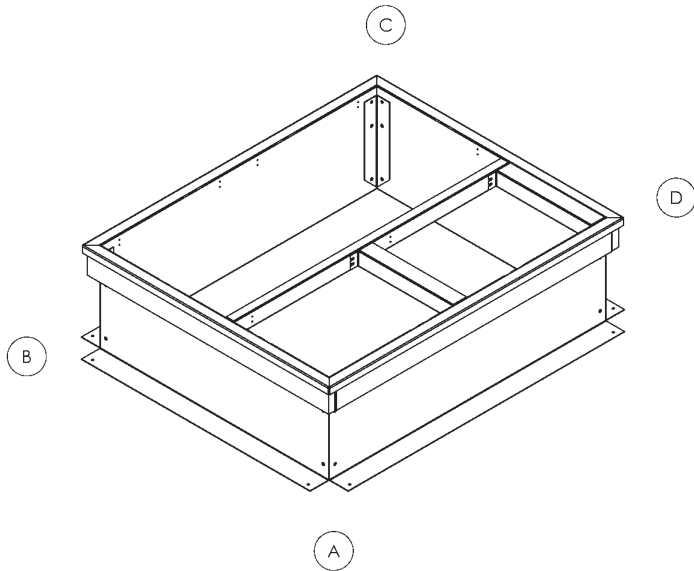
## SUBMITTAL

SUBMITTED TO \_\_\_\_\_  
 COMPANY \_\_\_\_\_  
 JOB NAME \_\_\_\_\_  
 EQUIPMENT \_\_\_\_\_  
 SIGNATURE \_\_\_\_\_  
 DATE \_\_\_\_\_

**SLOPE ROOF CURB FOR TRANE  
 ROOFTOP UNITS**  
 2/4 TC\*/ WC\*/ YC\*3 018-036A

## PART #

**Slope Roof Curb over 1" up to 2" per Ft. 1011814**  
**Slope Roof Curb 2" up to 3" per Ft. 1011815**



HEIGHT OF CORNER A	HEIGHT OF CORNER B	HEIGHT OF CORNER C	HEIGHT OF CORNER D

