

DATE: _____
 COMPANY: _____
 JOB NAME: _____
 SUBMITTED BY: _____
 NOTES: _____

SURE-LOCK ROOF CURB SUBMITTAL #1011896

BAYCURB050

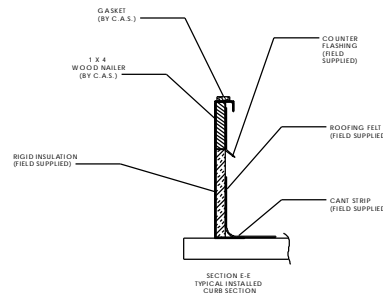
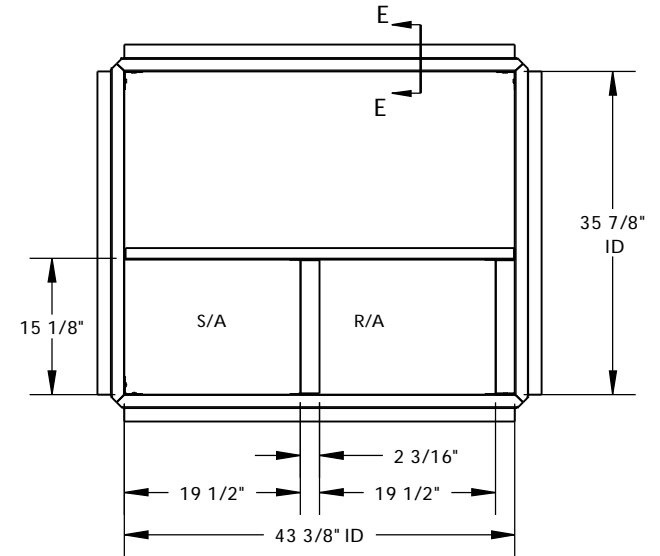
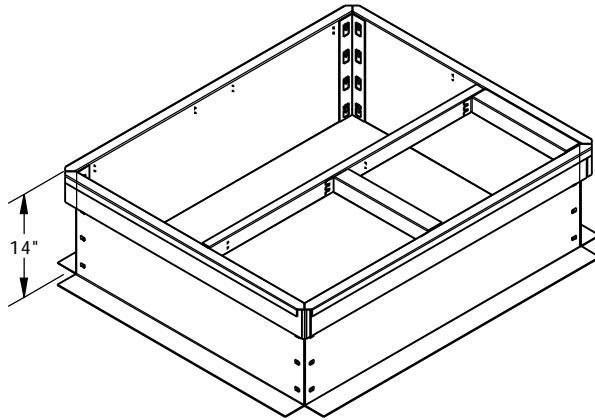
SURE-LOCK CURB NUMBER

1011896

REV:

Drawn By: CJT
 Drawn Date: 03/04/08

ESTIMATED WEIGHT: 62 LBS.



FEATURES:

MITERED TOP CORNERS

ROOF CURB IS FABRICATED OF HEAVY GAUGE GALVANIZED STEEL.

PRE-PUNCHED ASSEMBLY HOLES AND HARDWARE INCLUDED FOR DUCT SUPPORT INSTALLATION.

GASKETING PROVIDED FOR UNIT TO CURB SEALING.

FULL PERIMETER WOOD NAILER.

ROOF CURB IS SHIPPED KNOCKED DOWN.

ROOF CURB IS SEISMIC RATED.

ROOF CURB IS LABELED WITH RTU# IF APPLICABLE

© 2007 COX ENGINEERING COMPANY
 DBA CAMBRIDGEPORT AIR SYSTEMS. ALL RIGHTS RESERVED

Cambridgeport AIR SYSTEMS, INC.

SALISBURY, MA 01952
 PHONE 1-800-648-2872 FAX 1978-462-9189