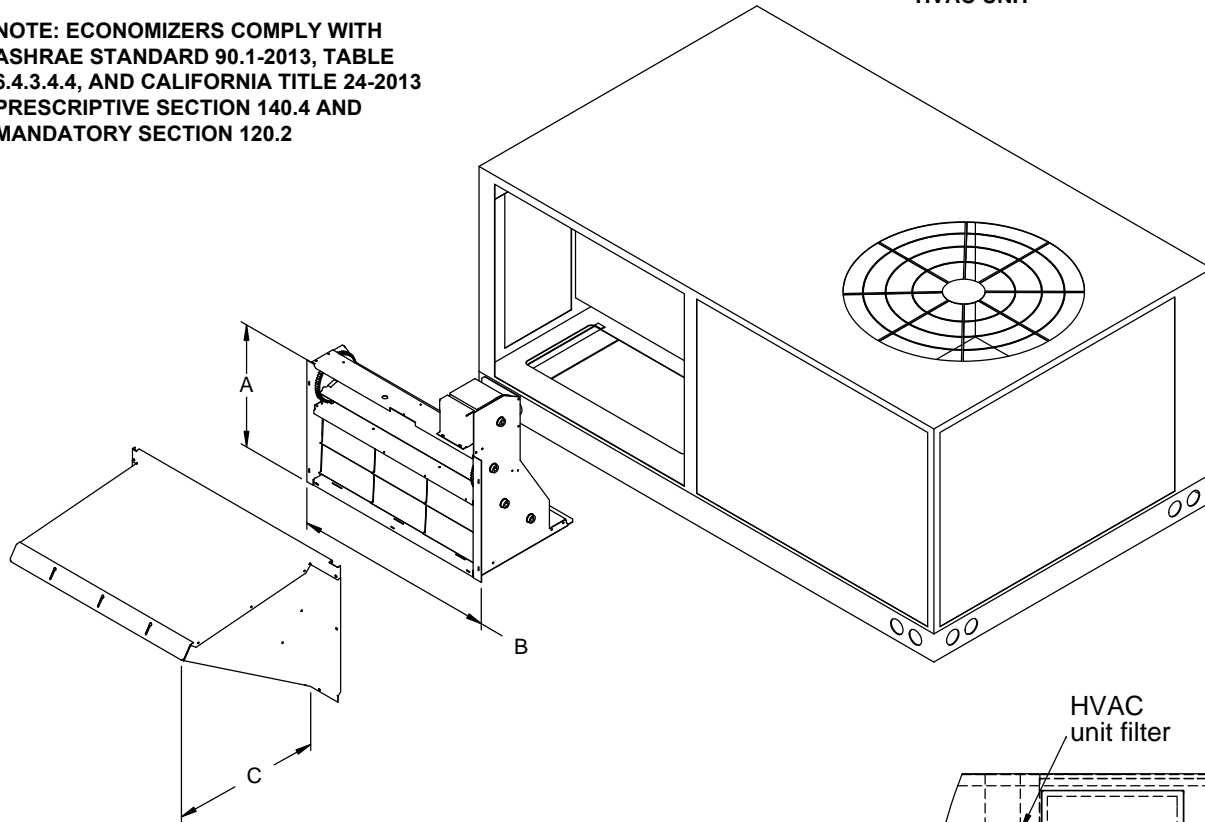


THE INFORMATION CONTAINED IN THIS DRAWING IS THE SOLE PROPERTY OF CAMBRIDGEPORT AIR SYSTEMS. ANY REPRODUCTION IN PART OR WHOLE WITHOUT THE WRITTEN PERMISSION OF CAMBRIDGEPORT IS PROHIBITED.

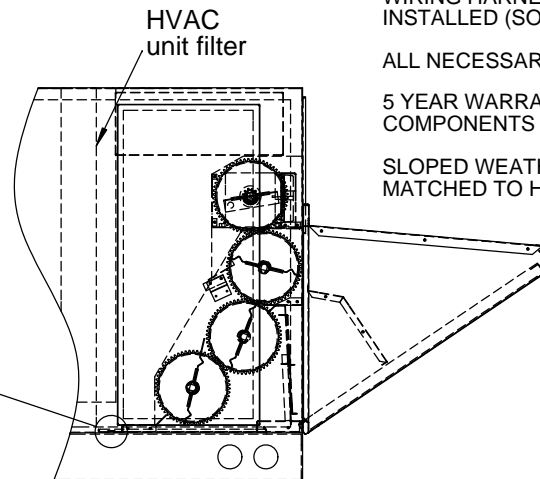
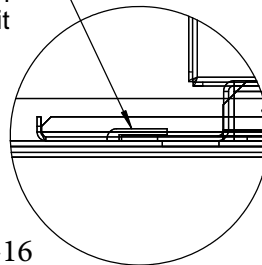
	CAS No.	YEAR	Type	A	B	C	WGT
3A	1023736	2008-CURRENT	Enthalpy	17-1/2"	28-1/4"	20-5/8"	63lb
3A	N/A	PRE-2008	Enthalpy	17-1/2"	28-1/4"	20-5/8"	63lb
4A	1023737	2008-CURRENT	Enthalpy	23-1/4"	35-3/4"	16"	81lb
4A	N/A	PRE-2008	Enthalpy	23-1/4"	35-3/4"	16"	81lb
74A	1023738	2008-CURRENT	Enthalpy	22-1/4"	46-1/4"	21"	97lb
74A	N/A	PRE-2008	Enthalpy	22-1/4"	46-1/4"	21"	97lb

NOTE: ECONOMIZERS COMPLY WITH ASHRAE STANDARD 90.1-2013, TABLE 6.4.3.4.4, AND CALIFORNIA TITLE 24-2013 PRESCRIPTIVE SECTION 140.4 AND MANDATORY SECTION 120.2

NOTE: THIS ECONOMIZER USES THE FILTER ACCESS PANEL SUPPLIED WITH THE HVAC UNIT



Note:
Ensure economizer engages tabs in HVAC unit



SUBMITTAL

CAMBRIDGEPORT ECONOMIZER

CASECOMZR003AGE/ZIP/ULL

CARRIER UNITS
48/50 TC 004 - 007

BRYANT UNITS
548J, 558J, 580J 04-07
549J, 551J, 581J 04,05,06

CASECOMZR004AGE/ZIP/ULL

CARRIER UNITS
48/50 TC 008 - 014

BRYANT UNITS
558J, 580J 08, 09, 12, 14
551J, 581J 07, 08, 09, 12
548J 08, 09, 12 ; 549J 07, 08, 09

CASECOMZR074AGE/ZIP/ULL

CARRIER UNITS
48/50 HC14/TC16

Features :

BELIMO ZIP CONTROL SYSTEM, CALIFORNIA TITLE 24 CERTIFIED, FDD PRODUCT ID BZE1245

ECONOMIZER IS CONSTRUCTED OF 18 GAUGE GALVANIZED STEEL AND IS SHIPPED FULLY ASSEMBLED

INCLUDES 90% BAROMETRIC RELIEF OPENING

STANDARD WITH ENTHALPY CONTROL AND BELIMO ENERGY MODULE FOR CO2 AND ACCESSORY ADD-ONS

ECONOMIZER IS GEAR DRIVEN AND CONVERTIBLE

MOISTURE ELIMINATING FILTERS

WIRING HARNESS AND ENTHALPY SENSOR FACTORY INSTALLED (SOME FIELD WIRING MAY APPLY)

ALL NECESSARY HARDWARE AND INSTRUCTIONS INCLUDED

5 YEAR WARRANTY FROM SHIP DATE ON PARTS AND COMPONENTS

SLOPED WEATHERHOOD AND BLOCK-OFF PANEL COLOR MATCHED TO HVAC UNIT.

Cambridgeport™

HVAC Accessories & Engineered Systems

8 FANARAS DRIVE
SALISBURY, MA
800-848-2872
F(978) 462-9189

DESCRIPTION

CASECOMZR003AG_, 004AG_, 074AG_
ULTRA LOW LEAK CONVERTIBLE

SIZE DWG. NO.
A ECONOMIZER SUBMITTAL SHEET

SHEET 1 OF 1

REV A 11-2-16

APPROVAL

Submitted to:

Company:

Job Name:

Equipment:

Approved by:

Date: