

DATE: _____
 COMPANY: _____
 JOB NAME: _____
 SUBMITTED BY: _____
 NOTES: _____

BURGLAR BARS SUBMITTAL #1000125

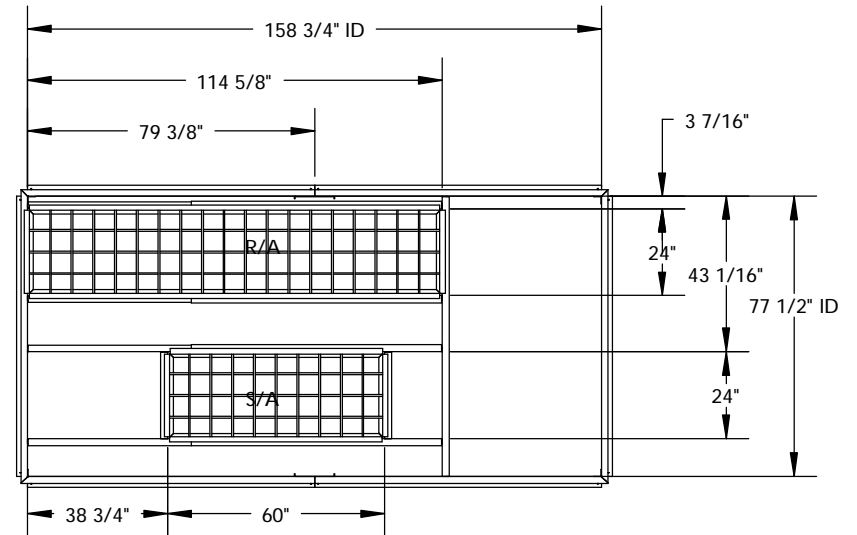
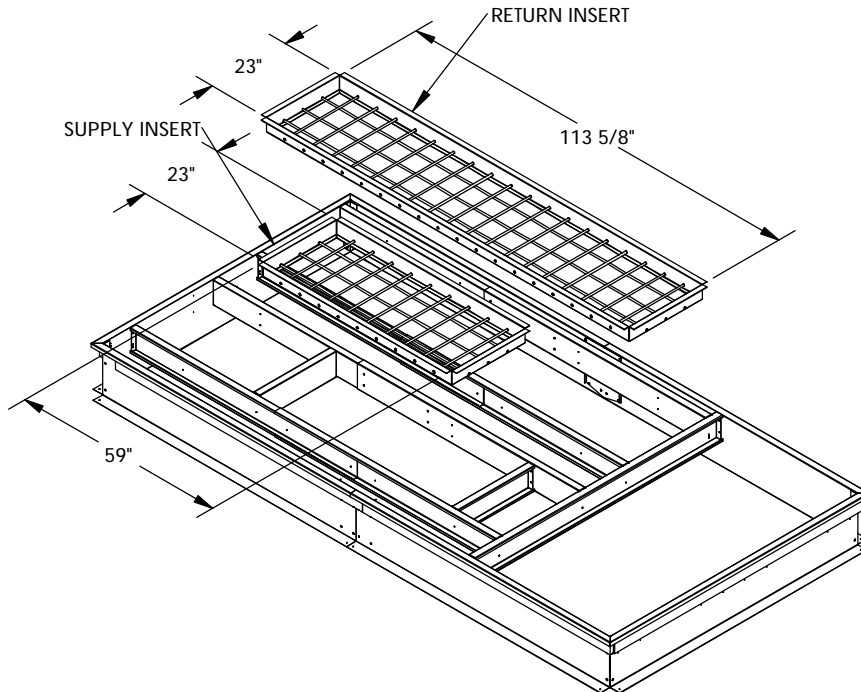
CRRFCURB005A00-BB

BURGLAR BARS
 1000125

Drawn By: RTO
 Drawn Date: 8/14/12

REV:

ESTIMATED WEIGHT: 446 LBS.



FEATURES:

BURGLAR BAR INSERTS ARE FABRICATED OF GALVANIZED STEEL AND 1/2" STEEL ROD

INSERTS ARE A ONE-PIECE WELDED CONSTRUCTION

ALL WELDS ARE SPRAYED WITH GALVANIZED COMPOUND

NOTE: DISTANCE BETWEEN STEEL RODS IS NOT GREATER THEN 6 INCHES.

CambridgeportTM
 AIR SYSTEMS, INC.

SALISBURY, MA 01952

PHONE 1-800-648-2872 FAX 1978-462-9189