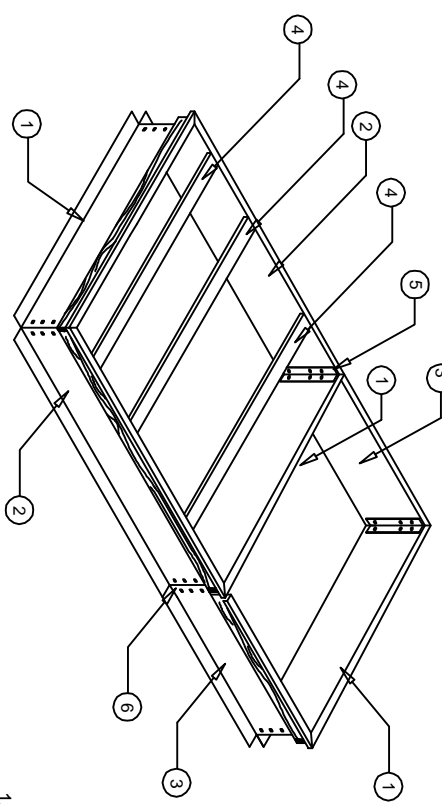


ROOF CURB ASSEMBLY INSTRUCTIONS

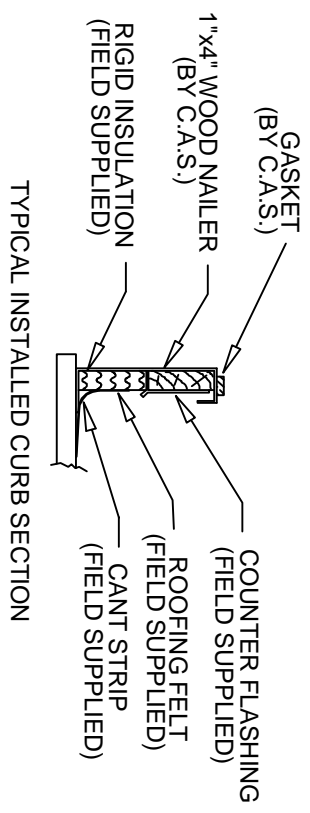
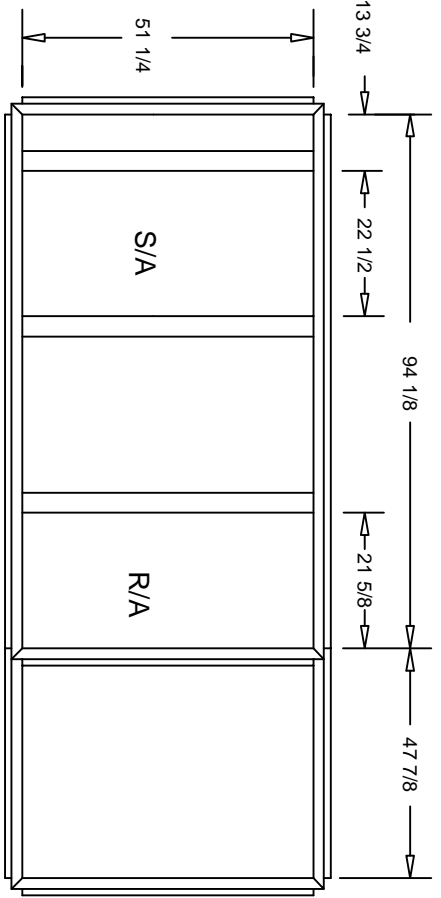
AAON UNITS
RK16-25 W/HR

PART NUMBER
AAON CAMBRIDGEPORT
CABINET C 1002347



PARTS LIST

- ① END RAILS (QTY. 3)
- ② SIDE RAILS (QTY. 2)
- ③ SIDE RAILS (QTY. 2)
- ④ DUCT SUPPORT (QTY. 3)
- ⑤ CORNER BRACKET (QTY. 6)
- ⑥ BUTT STRAP (QTY. 2)
- ⑦ HARDWARE BAG (QTY. 1)
(12) 10-16 x 3/4" TEK SCREWS
50 FT. 1" x 1/4" GASKET
(28) NUTS & BOLTS



TYPICAL INSTALLED CURB SECTION

DATE: 04-05-01 REV: 00

SEE REVERSE SIDE FOR
STEP-BY-STEP ASSEMBLY
INSTRUCTIONS.

CAMBRIDGEPORT AIR SYSTEMS, INC.
SALISBURY, MA 01952
PHONE 1-800-648-2872 FAX 978-462-9189