

Cambridgeport

SUBMITTAL

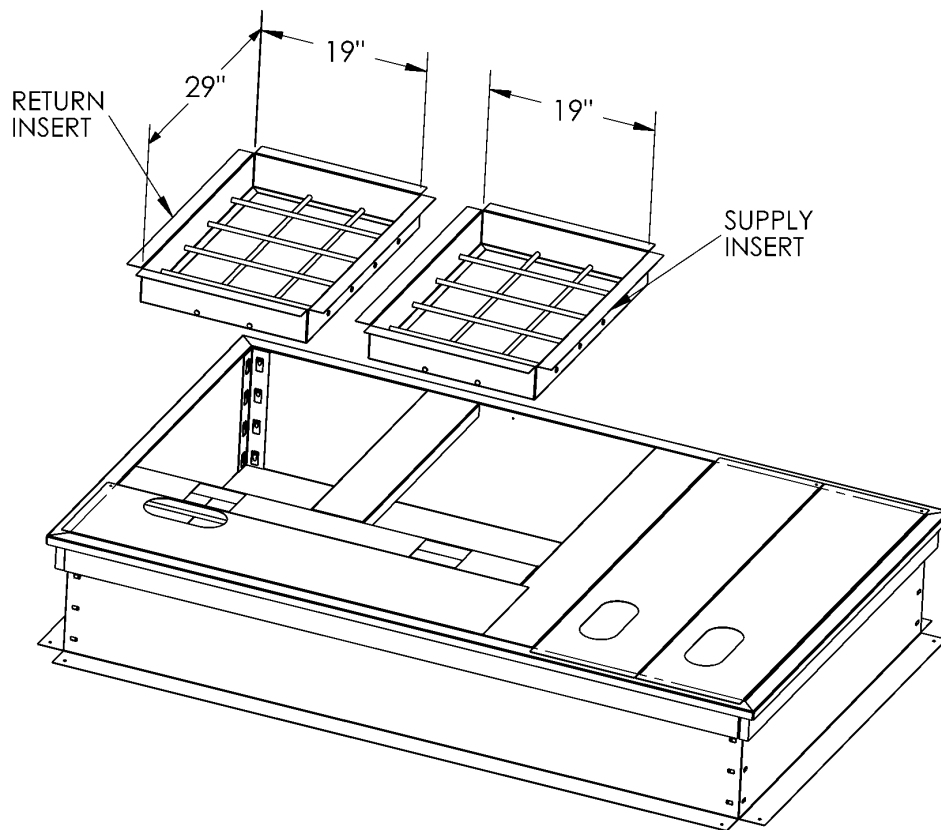
SUBMITTED TO _____
COMPANY _____
JOB NAME _____
EQUIPMENT _____
SIGNATURE _____
DATE _____

BURGLAR BAR INSERTS FOR YORK ROOFTOP UNITS

BP, DH, DM, 078-150
XP, ZF, ZH, ZJ, ZR, 078-150
ZH, ZJ, ZR 037 & 049 & 061
DF 078-120
DR 090-150
DJ150

PART

CAS YORK
1002543 1RCO408



FEATURES

BURGLAR BAR INSERTS ARE FABRICATED OF 18 GA G90 GALVANIZED
STEEL AND 1/2 STEEL ROD
ONE-PIECE WELDED CONSTRUCTION
ALL WELDS SPRAYED WITH GALVANIZED COMPOUND
DISTANCE BETWEEN STEEL RODS ARE NO MORE THAN 6 INCHES
OPTIONAL FEATURE;
5/8 STEEL ROD
OPENINGS GREATER THAN OR LESS THAN 6 INCHES