

# SUBMITTAL

DATE: \_\_\_\_\_  
 PROJECT: \_\_\_\_\_  
 EQUIPMENT: \_\_\_\_\_  
 SUBMITTED BY: \_\_\_\_\_  
 NOTES:

# ADJUSTABLE SLOPE ROOF CURB

CARRIER UNITS  
 48/50 DJ,GJ,HJ,HM,LJ,QJ,TJ,TF  
 004-007

**PART NUMBER**

CARRIER	CAMBRIDGEPORT
CASADJSLP001A	1002946

**FEATURES:**

FULLY ADJUSTABLE HEIGHT AND PITCH  
 UP TO 1" PER FOOT IN ANY DIRECTION

MITERED TOP CORNERS

ROOF CURB BODY IS FABRICATED OF HEAVY  
 GAUGE GALVANIZED STEEL

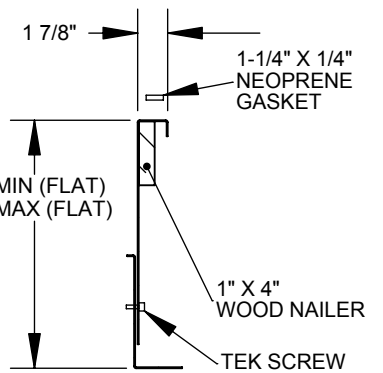
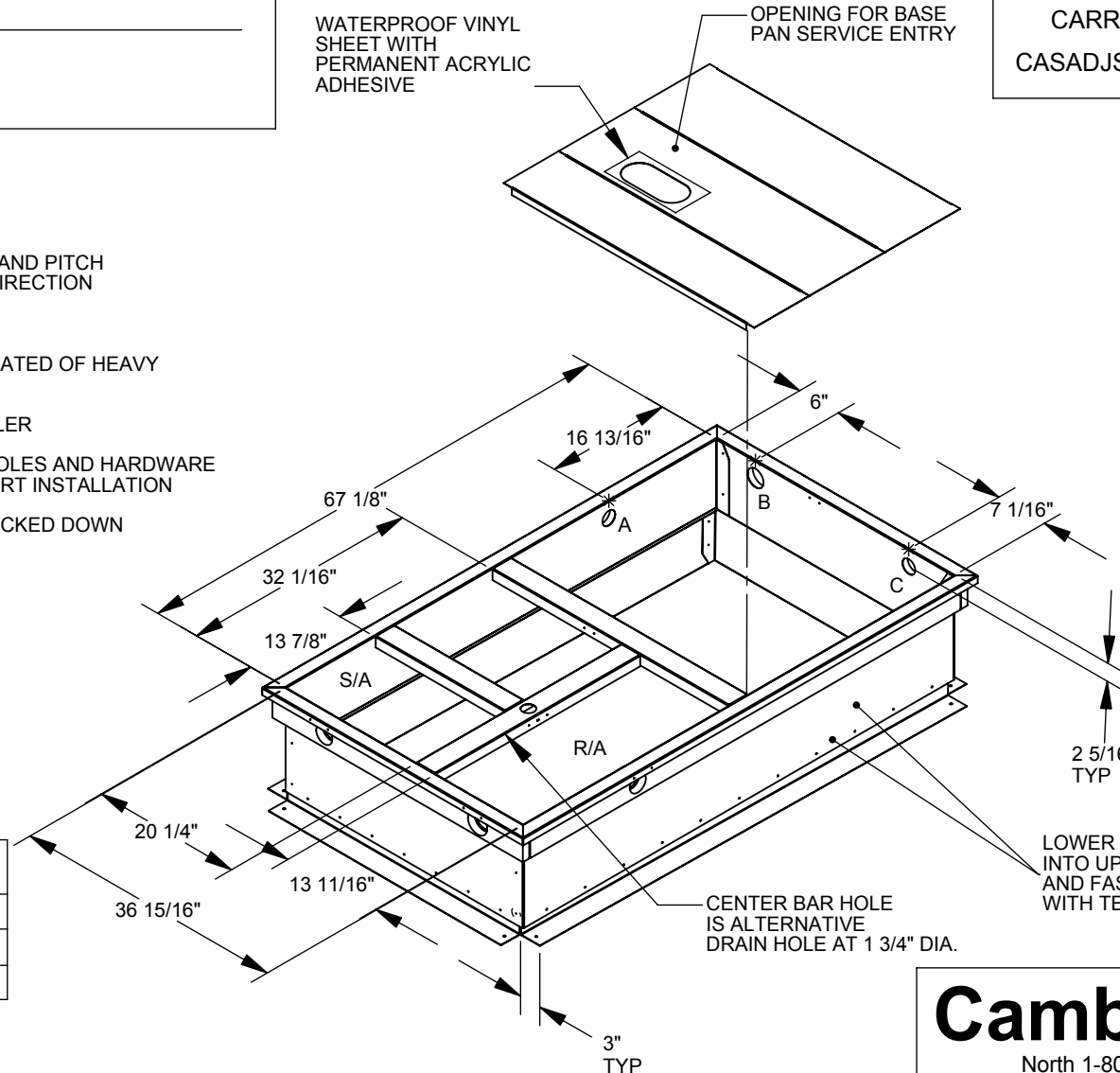
FULL PERIMETER WOOD NAILER

PRE-PUNCHED ASSEMBLY HOLES AND HARDWARE  
 INCLUDED FOR DUCT SUPPORT INSTALLATION

ROOF CURB IS SHIPPED KNOCKED DOWN

WATERPROOF VINYL  
 SHEET WITH  
 PERMANENT ACRYLIC  
 ADHESIVE

OPENING FOR BASE  
 PAN SERVICE ENTRY



UTILITY HOLE SPECIFICATIONS		
A	B	C
GAS	POWER	CONTROL
2" DIA	2 1/2" DIA	2" DIA

DATE: 11-03-06 REV: 01

**Cambridgeport™**  
 North 1-800-648-2872/FAX 978-462-9189  
 South 1-877-648-2872/FAX 901-566-0035