

# Cambridgeport

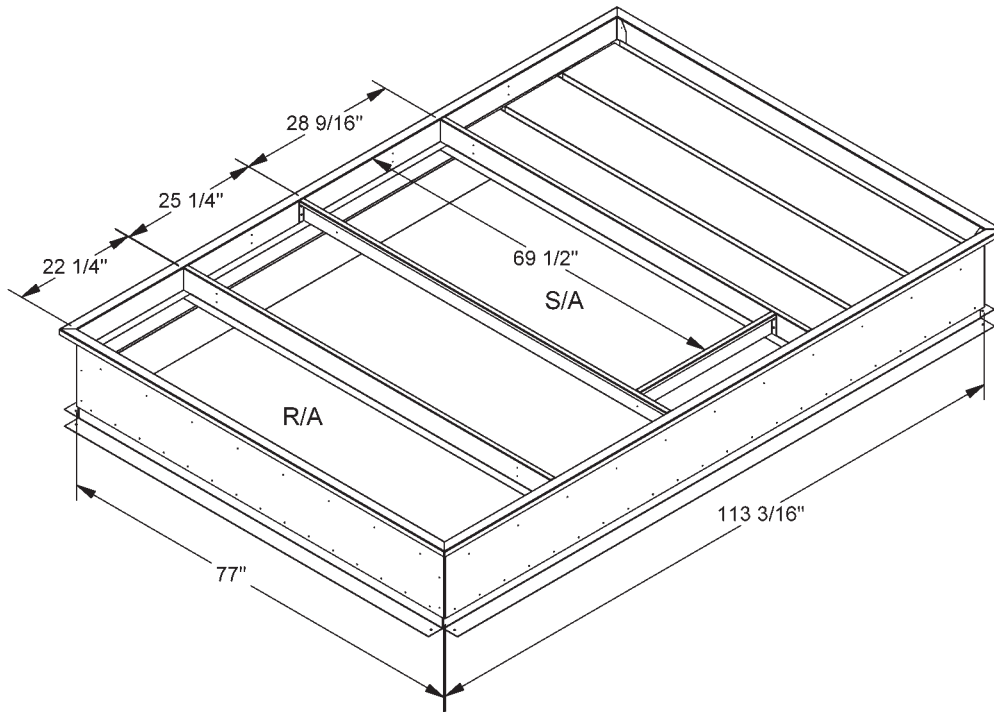
## SUBMITTAL

SUBMITTED TO \_\_\_\_\_  
 COMPANY \_\_\_\_\_  
 JOB NAME \_\_\_\_\_  
 EQUIPMENT \_\_\_\_\_  
 SIGNATURE \_\_\_\_\_  
 DATE \_\_\_\_\_

## ADJUSTABLE SLOPE ROOF CURB FOR TRANE ROOFTOP UNITS

YCD, TCD 181C, 211C, 240B  
 YCD, TCD 241C, 300B, 301C  
 WCD 240B

**PART #**  
**1004768**



## FEATURES

- FULLY ADJUSTABLE HEIGHT AND PITCH UP TO 1" PER FOOT IN EITHER DIRECTION
- MITERED TOP CORNERS
- ROOF CURB FABRICATED OF HEAVY GAUGE GALVANIZED STEEL
- FULL PERIMETER WOOD NAILER
- PRE-PUNCHED ASSEMBLY HOLES AND HARDWARE INCLUDED FOR DUCT SUPPORT INSTALLATION
- ROOF CURB IS SHIPPED UNASSEMBLED

