

Cambridgeport

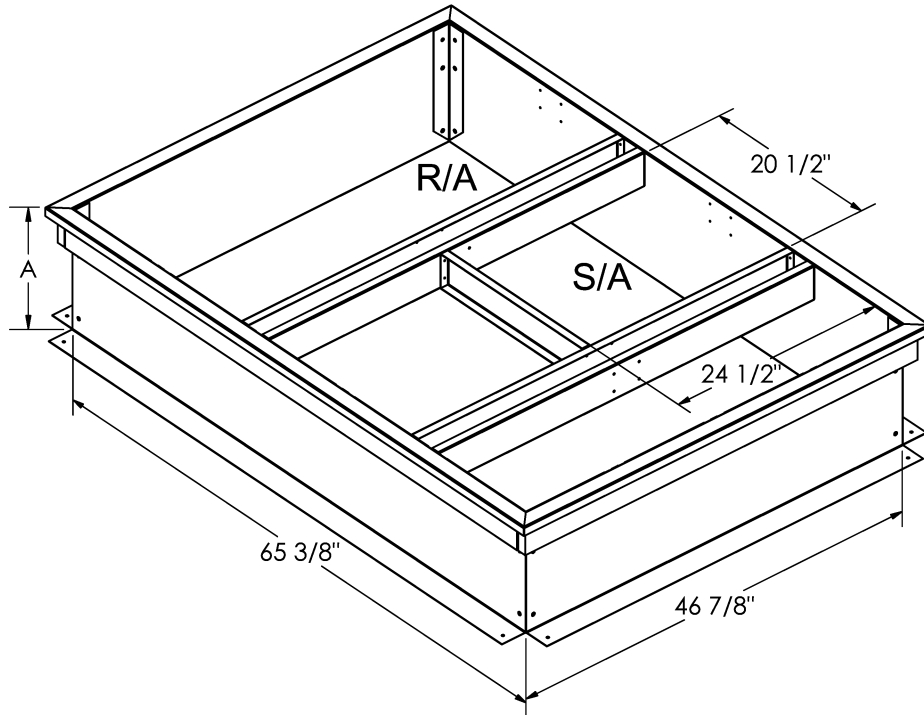
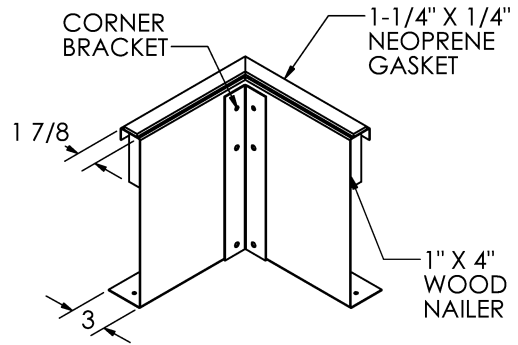
North 800-648-2872/Fax 978-462-9189
 South 877-648-2872/Fax 901-566-0035

**ROOF CURBS FOR LENNOX
 ROOFTOP UNITS**

**CHP16, GCS16 048, 060
 GCS20 042, 048 060**

FEATURES

- MITERED TOP CORNERS
- ROOF CURB BODY IS FABRICATED OF HEAVY GAUGE GALVANIZED STEEL
- FULL PERIMETER WOOD NAILER
- PRE-PUNCHED ASSEMBLY HOLES AND HARDWARE INCLUDED FOR DUCT SUPPORT INSTALLATION
- ROOF CURB IS SHIPPED UNASSEMBLED
- *OPTIONAL*- INTERNALLY INSULATED WITH 1" THICK 1-1/2 POUND DENSITY DUCTLINER



CURB HEIGHT	PART #	
	UNINSULATED	*INSULATED*
"A"		
8"	1007784	1007788
14"	1007785	1007789
18"	1007786	1007790
24"	1007787	1007791