

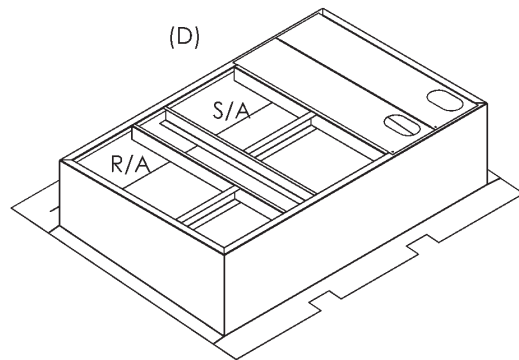
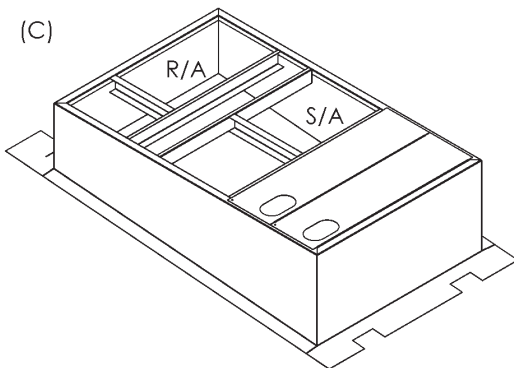
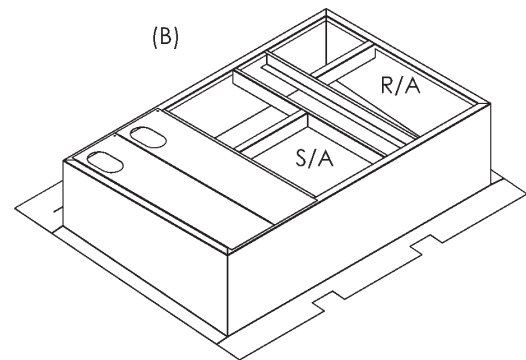
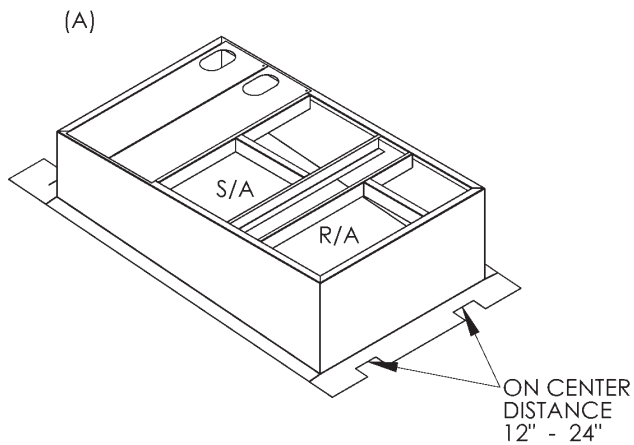
Cambridgeport

SUBMITTAL

SUBMITTED TO _____
COMPANY _____
JOB NAME _____
EQUIPMENT _____
SIGNATURE _____
DATE _____

**ROOF CURB FOR METAL RIB /
STANDING SEAM DECKS
TRANE ROOFTOP UNITS**
Y*C, T*C 036A, 048A, 060A
WSC 036A, 048A

**PART #
1009996**



Confirm the slope direction and duct orientation by circling one of the four diagrams above.

A manufacturers drawing and or sample of the roof deck is require.