

Cambridgeport

SUBMITTAL

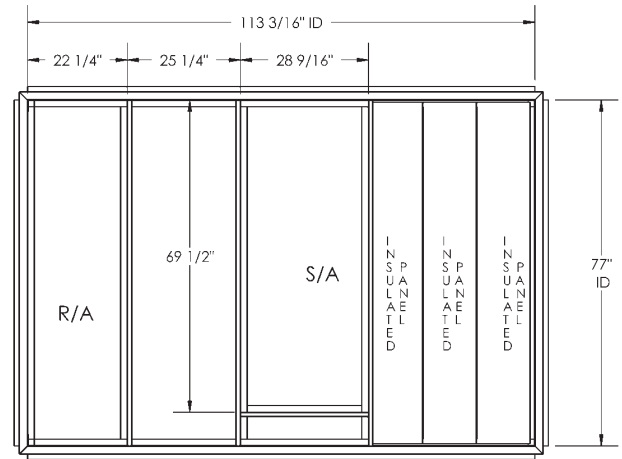
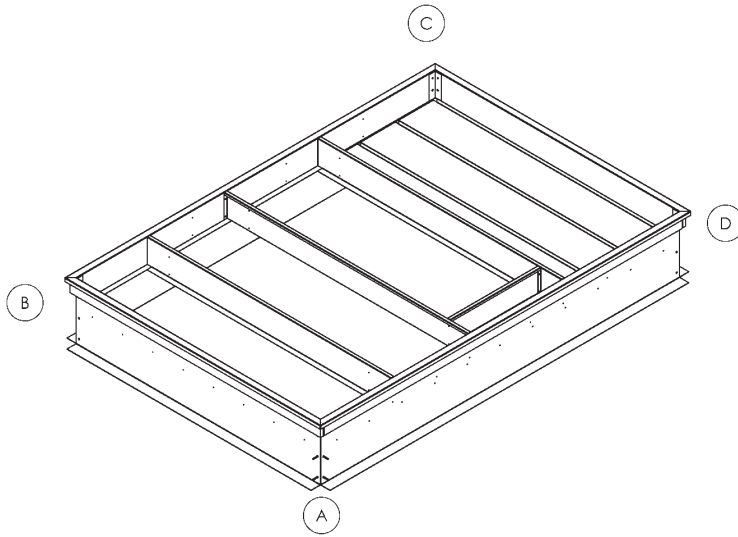
SUBMITTED TO _____
 COMPANY _____
 JOB NAME _____
 EQUIPMENT _____
 SIGNATURE _____
 DATE _____

SLOPE ROOF CURB FOR TRANE ROOFTOP UNITS

YCD, TCD 181C, 211C, 240B
 YCD, TCD 241C, 300B, 301C
 WCD 240B

PART

Slope Roof Curb over 1" up to 2" per Ft. 1010035
 Slope Roof Curb 2" up to 3" per Ft. 1010036



HEIGHT OF CORNER A	HEIGHT OF CORNER B	HEIGHT OF CORNER C	HEIGHT OF CORNER D

