

# Cambridgeport

## SUBMITTAL

SUBMITTED TO \_\_\_\_\_  
 COMPANY \_\_\_\_\_  
 JOB NAME \_\_\_\_\_  
 EQUIPMENT \_\_\_\_\_  
 SIGNATURE \_\_\_\_\_  
 DATE \_\_\_\_\_

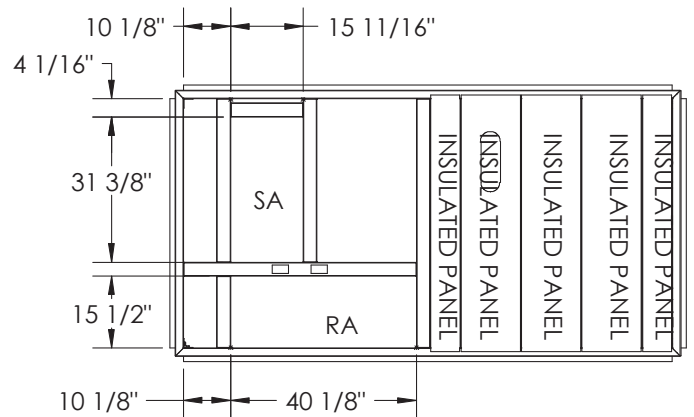
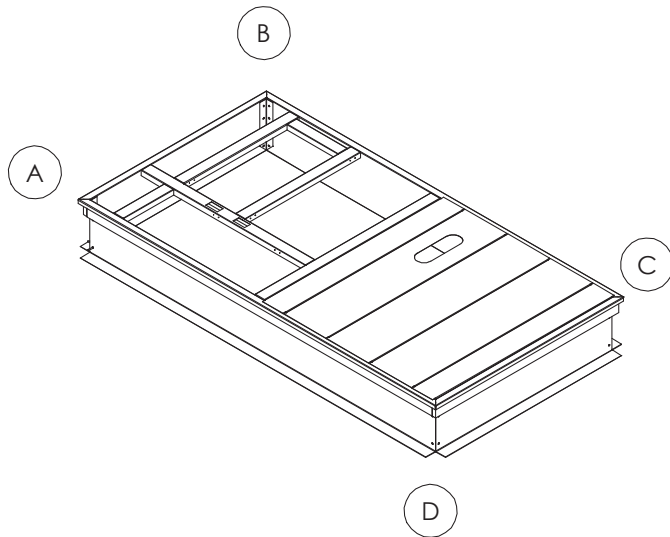
## SLOPE ROOF CURB FOR BRYANT ROOFTOP UNITS

549J12 ; 548J14

## SLOPE ROOF CURB FOR CARRIER ROOFTOP UNITS

50TCQ 14  
50HCQ 12

| DESCRIPTION                              | PART #  |
|--|---------|
| Slope Roof Curb up to 2" per Ft.         | 1018284 |
| Slope Roof Curb over 2" up to 3" per Ft. | 1018285 |



## FEATURES

- MITERED TOP CORNERS
- ROOF CURB FABRICATED OF HEAVY GAUGE GALVANIZED STEEL
- FULL PERIMETER WOOD NAILER
- PRE-PUNCHED ASSEMBLY HOLES AND HARDWARE INCLUDED FOR DUCT SUPPORT INSTALLATION
- ROOF CURB IS SHIPPED UNASSEMBLED

| HEIGHT OF CORNER A | HEIGHT OF CORNER B | HEIGHT OF CORNER C | HEIGHT OF CORNER D |
|--------------------|--------------------|--------------------|--------------------|
|                    |                    |                    |                    |